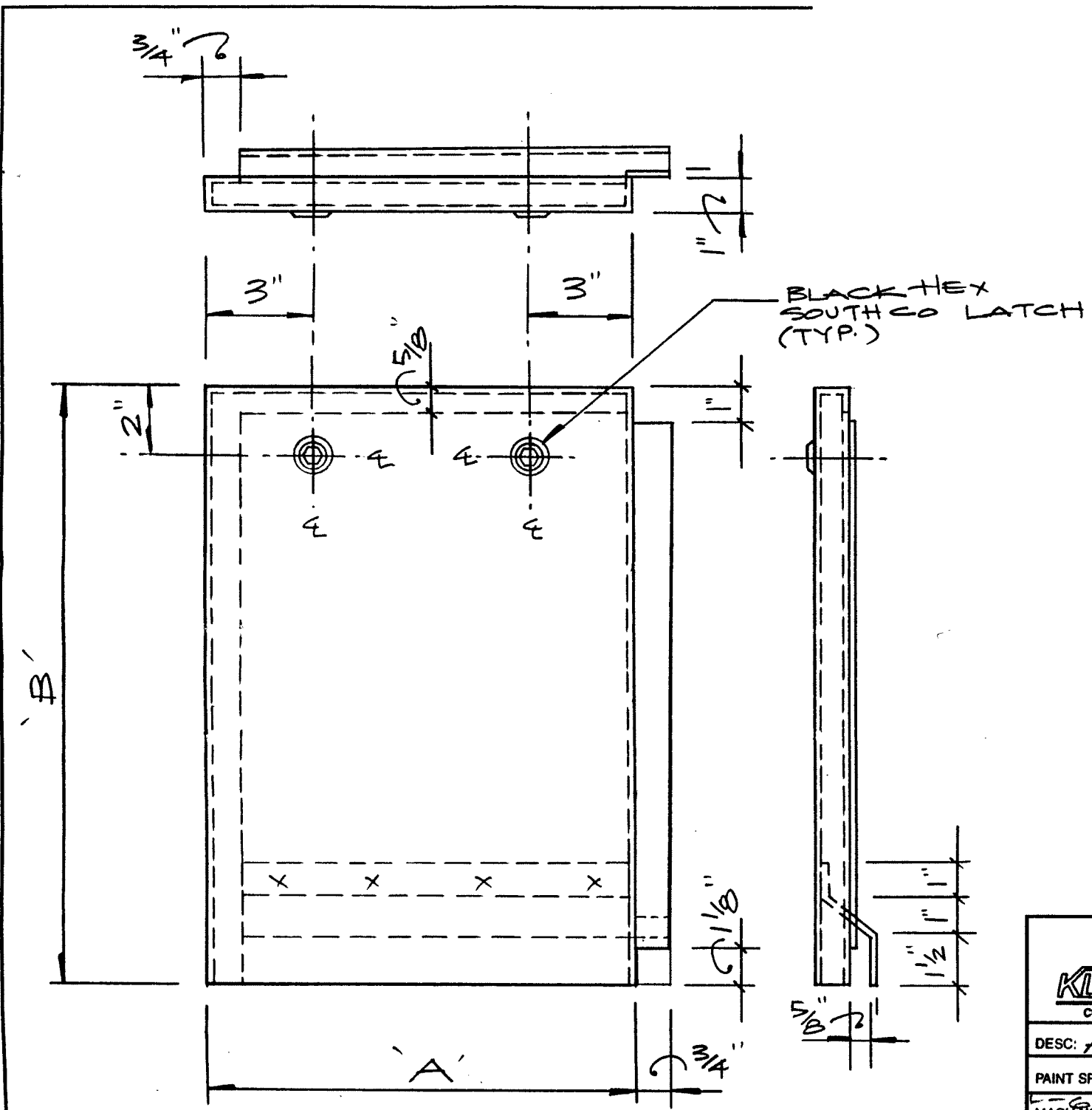


DESC.	INITIAL	DATE
PROGRAM		
CNC PUNCH		
FORMING		
WELDING		
QC PASS		



14CA.

23 3/8"	56"	UNLOAD L.H.	7740
'A'	'B'	STA	PART NO:

	DES BY: HERDAN.
	DATE: MAY 10/00 SCALE:
WORK ORD: 3430	
DESC: FIXED PANEL	QTY:
PAINT SPEC: GMW-01	SHT OF
MACH NO: 6141-204-02	JOB NO: 1014-3430